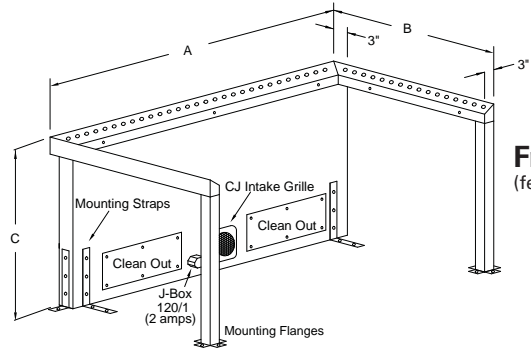
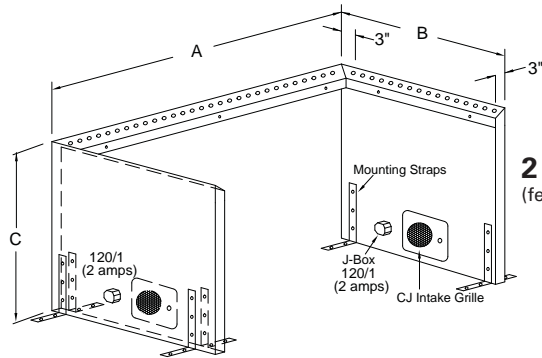


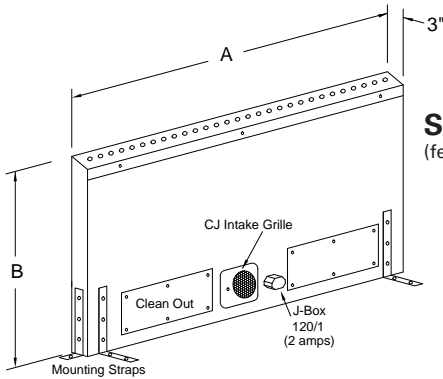
Model CJB Capture Bar



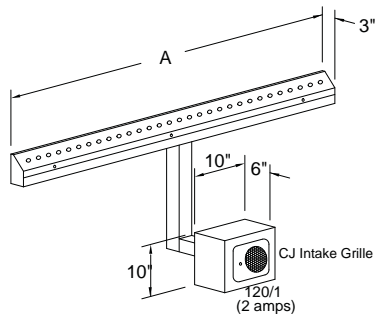
Front Plenum
(feeding 3 capture bars)



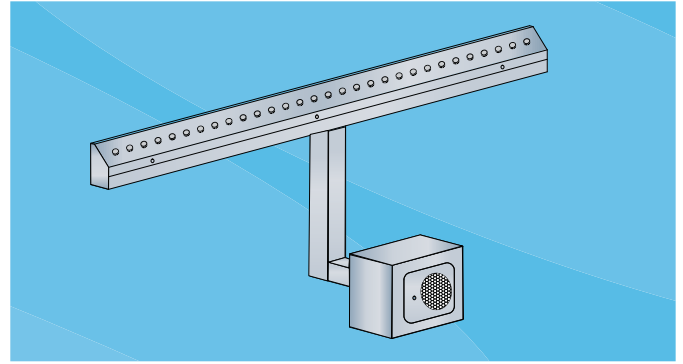
2 Side Plenums
(feeding 3 capture bars)



Standalone Plenum
(feeding 1 capture bar)



Capture Bar Only



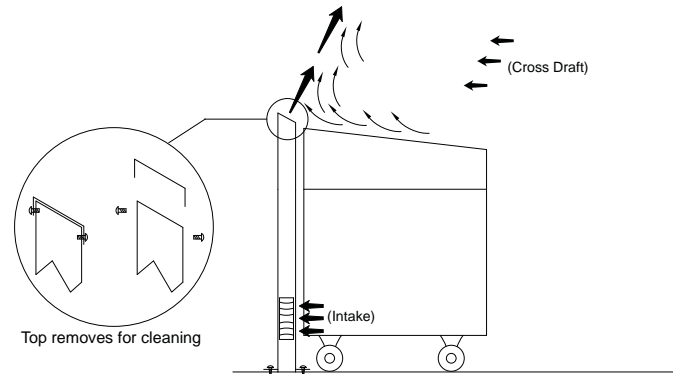
Features:

- Self contained plenum with built in Capture Jet® fan draws room air.
- Built to accommodate single island cooking appliances.
- Minimizes impact of cross drafts.
- Straightens convective plume and effluent and directs toward canopy.
- Quiet operation.

Specification

Halton's patented Capture Jet® technology is incorporated in a slim plenum design with impellar fan to create a vertical discharge capture jet air curtain. This Capture Jet® improves capture and containment in island applications by directing the convective plume and effluent toward the canopy and minimizes the affect of cross drafts. The Capture Jet® air shall be introduced through a special discharge panel and be of sufficient velocity to assist the thermal plume toward the KSA grease extractors. The Capture Jet® fan shall be internally mounted within the plenum and prewired to a solid state speed control.

Capture Bar is constructed of stainless steel and easy to clean.



Project:

Location:

Submitted by:

Date:

Continuous improvement is a Halton policy, therefore specifications and designs are subject to change without notice.